



US005845265A

United States Patent [19]
Woolston

[11] **Patent Number:** **5,845,265**
[45] **Date of Patent:** **Dec. 1, 1998**

[54] **CONSIGNMENT NODES**

[75] Inventor: **Thomas G. Woolston**, Arlington, Va.

[73] Assignee: **MercExchange, L.L.C.**, Alexandria, Va.

[21] Appl. No.: **554,704**

[22] Filed: **Nov. 7, 1995**

5,206,803 4/1993 Vitagliano et al. .
5,235,680 8/1993 Bijnagte .
5,237,500 8/1993 Perg et al. .
5,239,462 8/1993 Jones et al. .
5,262,942 11/1993 Earle .
5,283,731 2/1994 Lalonde et al. .
5,285,383 2/1994 Lindsey et al. .
5,323,315 6/1994 Highbloom .
5,451,998 9/1995 Hamrick .
5,465,291 11/1995 Barrus et al. .

Related U.S. Application Data

[63] Continuation-in-part of Ser. No. 427,820, Apr. 26, 1995.

[51] **Int. Cl.⁶** **G06F 17/60**

[52] **U.S. Cl.** **705/37; 705/27**

[58] **Field of Search** 395/226, 237,
395/227, 235, 236, 239; 235/383, 381;
705/26, 27, 35, 36, 37, 39

[56] **References Cited**

U.S. PATENT DOCUMENTS

- 4,270,042 5/1981 Case 235/379
- 4,346,442 8/1982 Musmanno .
- 4,674,044 6/1987 Kalmus et al. .
- 4,739,478 4/1988 Roberts et al. .
- 4,742,457 5/1988 Leon et al. .
- 4,751,640 6/1988 Lucas et al. .
- 4,789,928 12/1988 Fujisaki .
- 4,799,156 1/1989 Shavit et al. .
- 4,823,265 4/1989 Nelson .
- 4,876,648 10/1989 Lloyd .
- 4,885,685 12/1989 Wolfberg et al. .
- 4,903,201 2/1990 Wagner .
- 4,910,676 3/1990 Alldredge .
- 5,063,507 11/1991 Lindsey et al. .
- 5,101,353 3/1992 Lupien et al. .
- 5,193,056 3/1993 Boes .

OTHER PUBLICATIONS

Whitmore, S. "Business on the Net: the New Gold Rush", PC Week v12, n43, p. 106, Oct. 30, 1995.

Gordon, M. "Auctions Become High Tech", Dealer Business, v29, n7, p. 21, Mar. 1995.

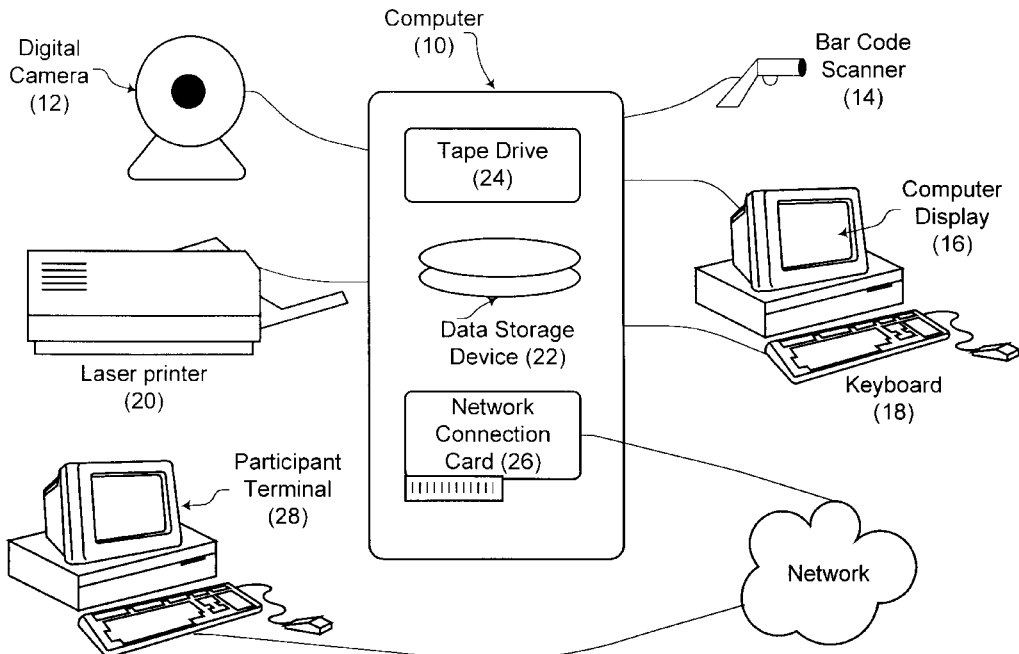
Goulde, M., "Sun Microsystems Bringing Interactive Technology to the WWW," *Open Information Systems*, 10:3 p. 29, Mar. 1995.

Primary Examiner—Robert A. Weinhardt
Attorney, Agent, or Firm—Thomas G. Woolston

[57] **ABSTRACT**

A method and apparatus for creating a computerized market for used and collectible goods by use of a plurality of low cost posting terminals and a market maker computer in a legal framework that establishes a bailee relationship and consignment contract with a purchaser of a good at the market maker computer that allows the purchaser to change the price of the good once the purchaser has purchased the good thereby to allow the purchaser to speculate on the price of collectibles in an electronic market for used goods while assuring the safe and trusted physical possession of a good with a vetted bailee.

29 Claims, 13 Drawing Sheets



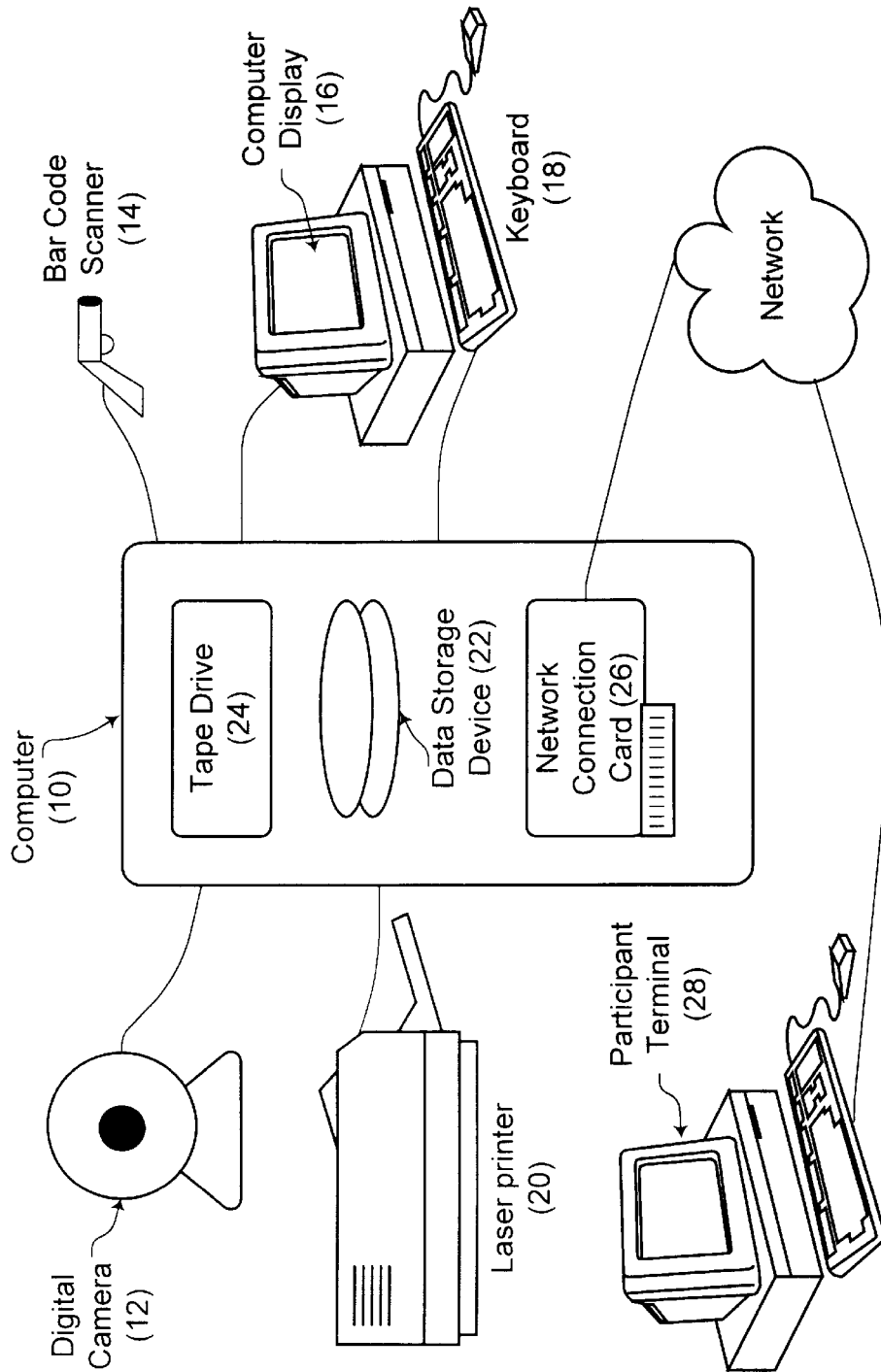


Figure 1

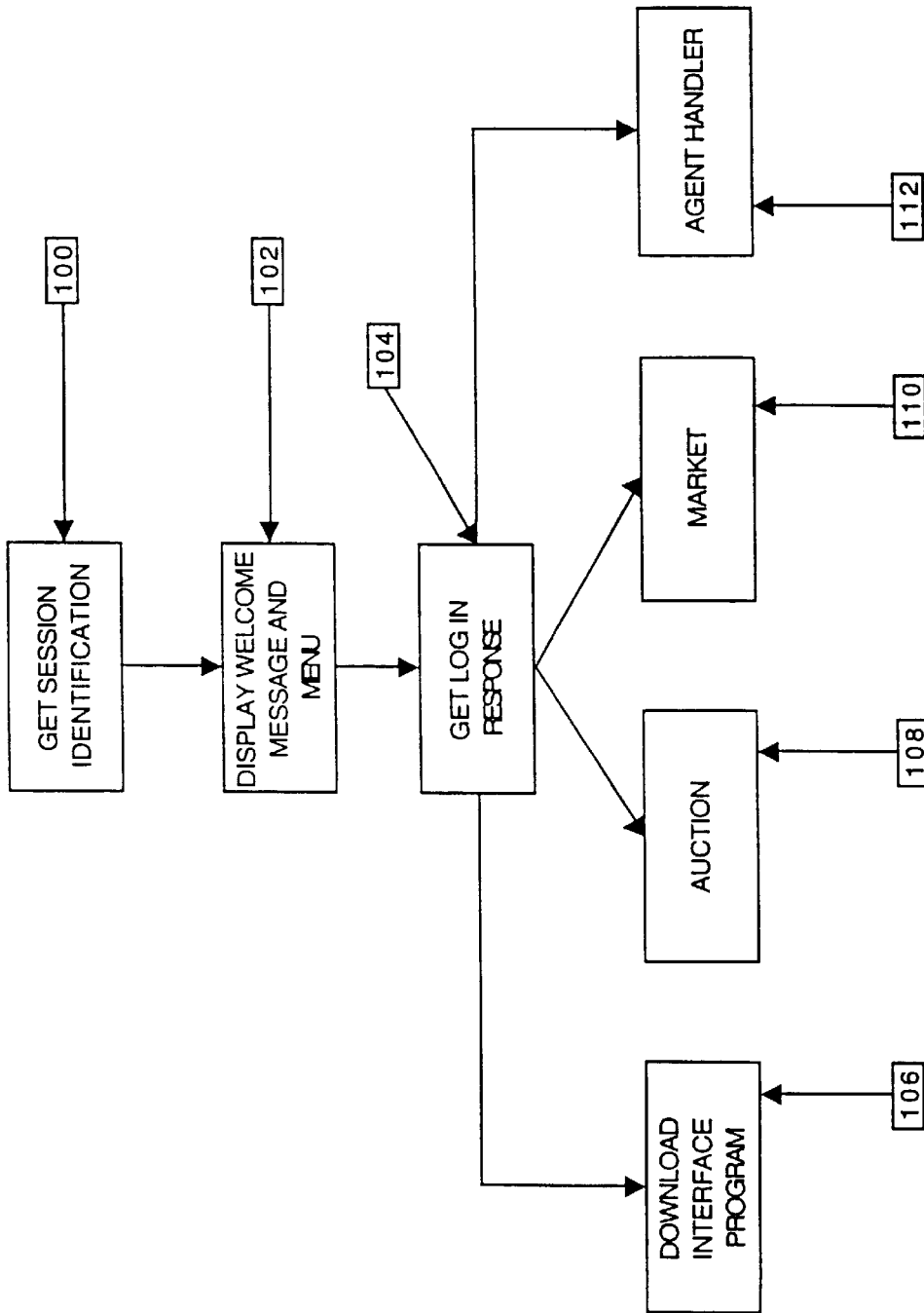


Figure 2

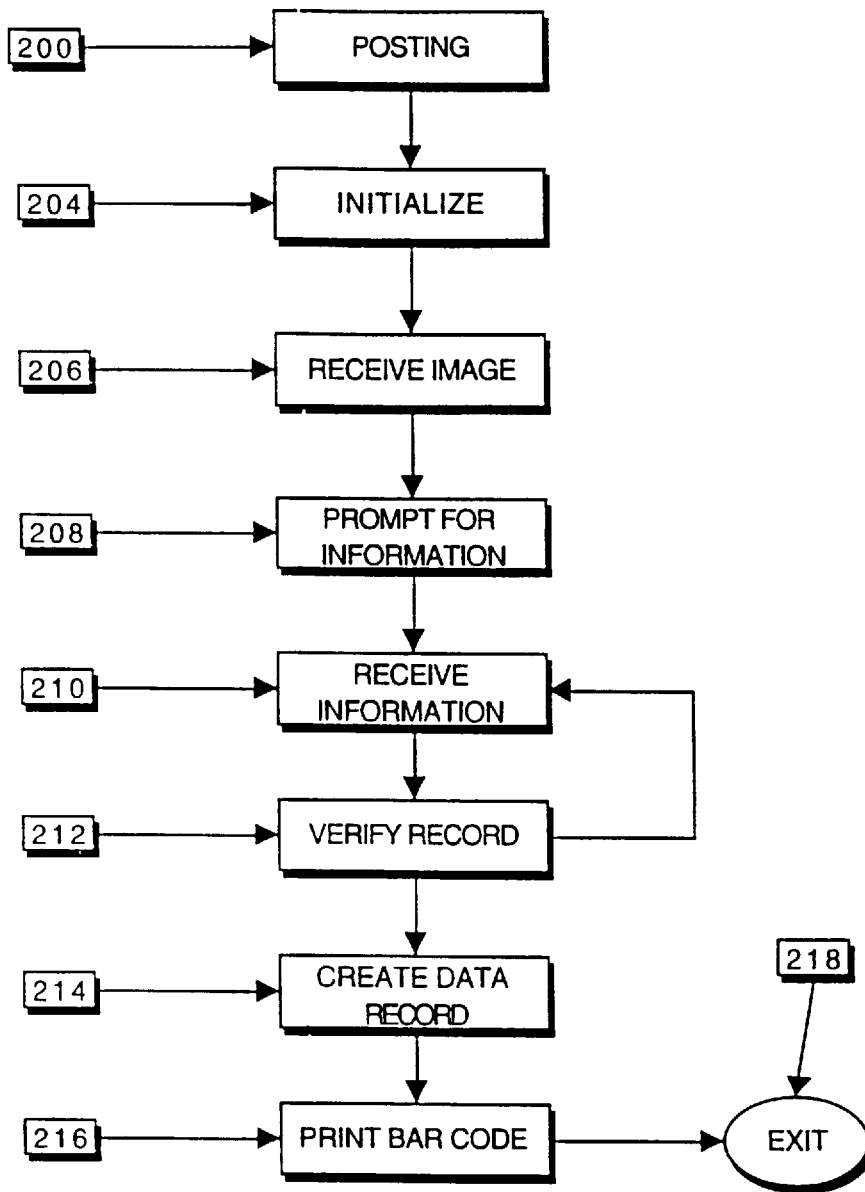


Figure 3

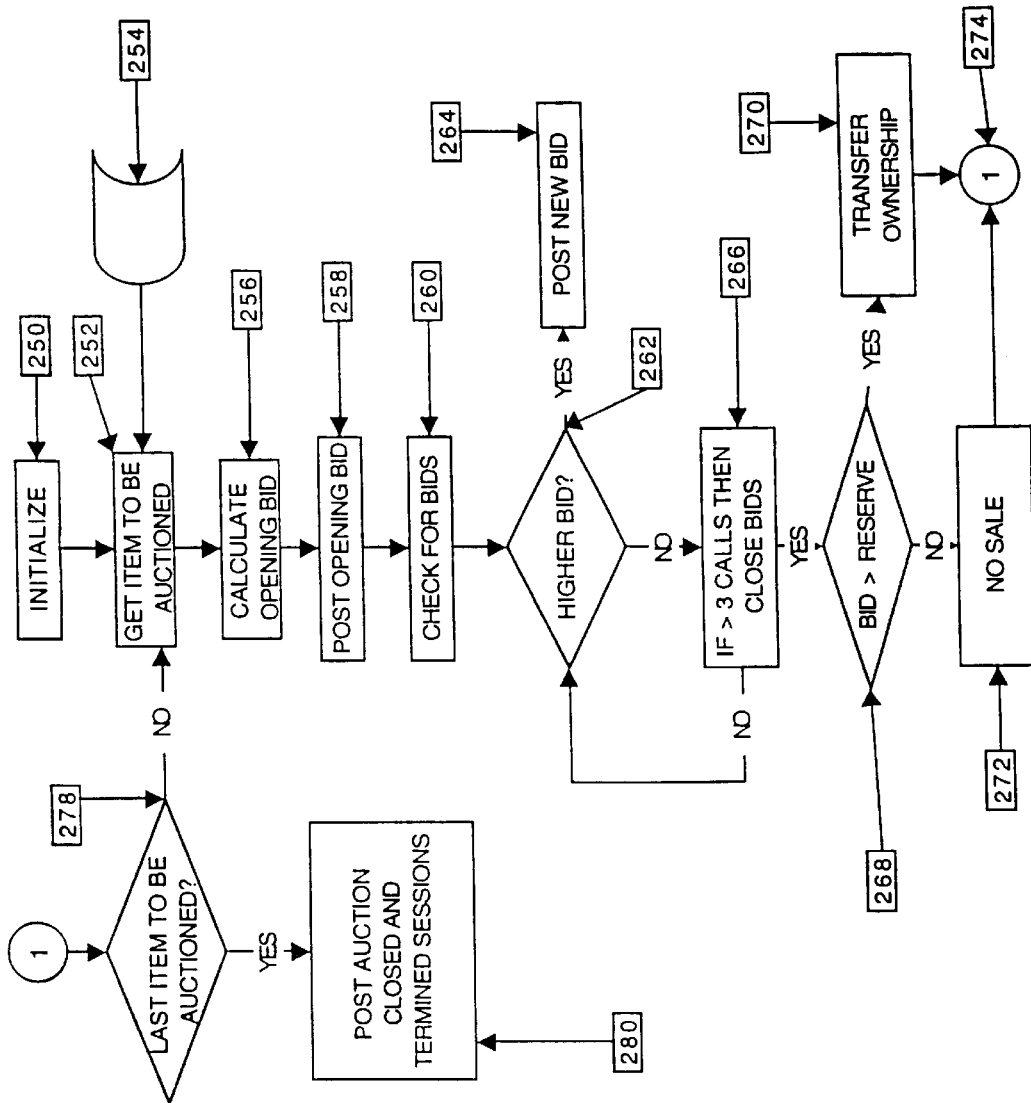


Figure 4

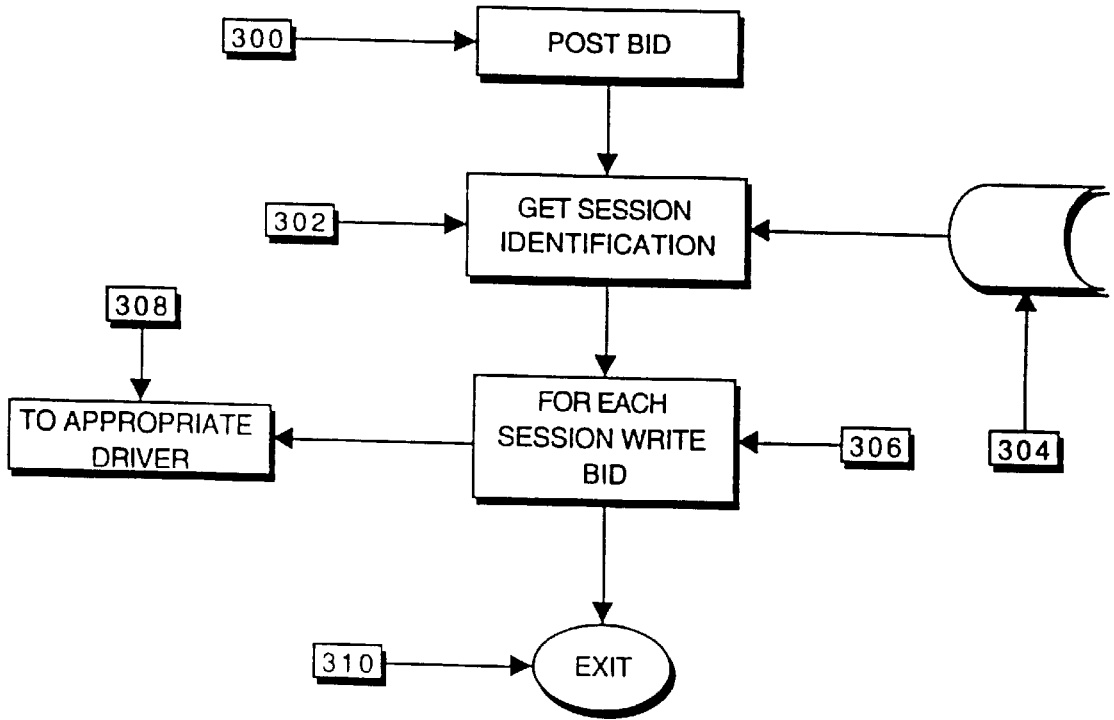


Figure 5

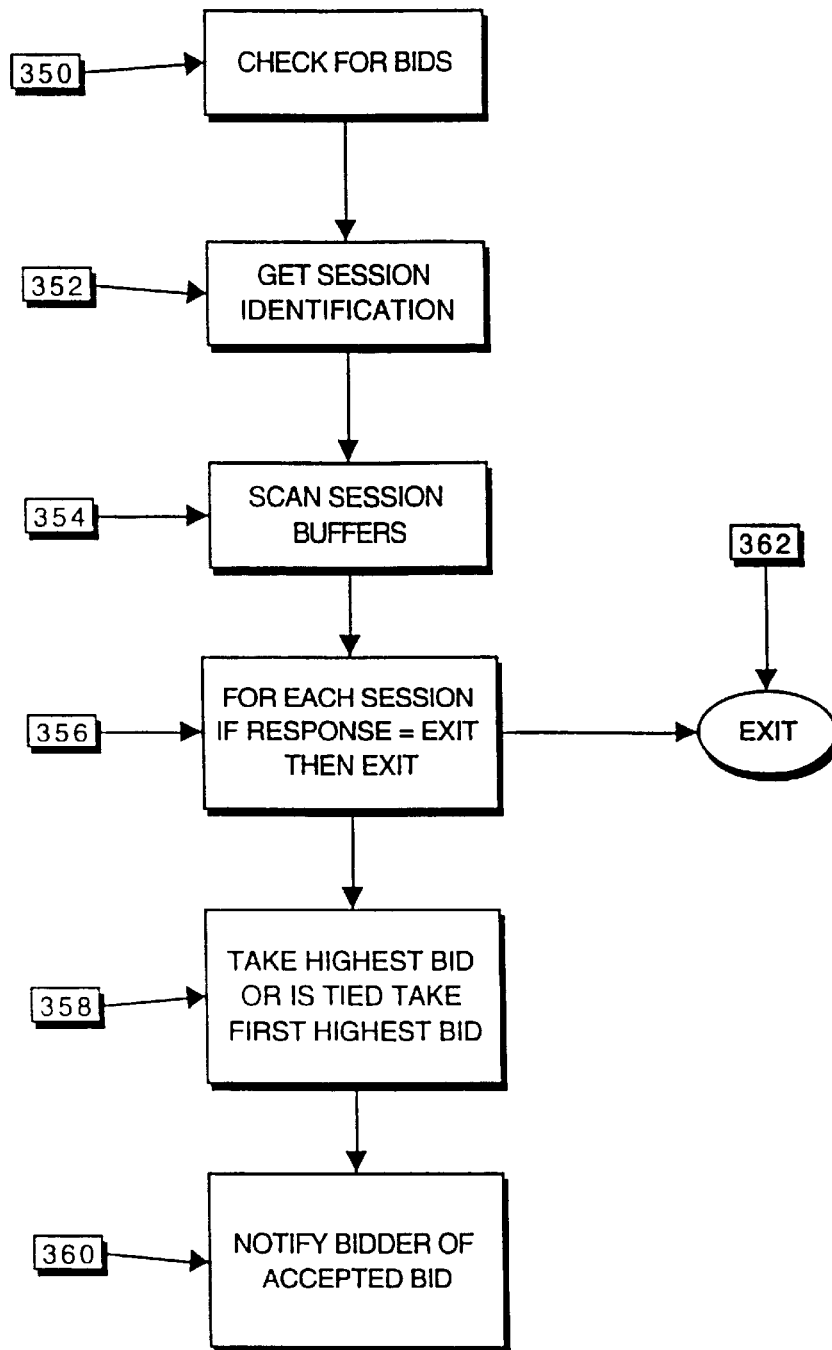


Figure 6

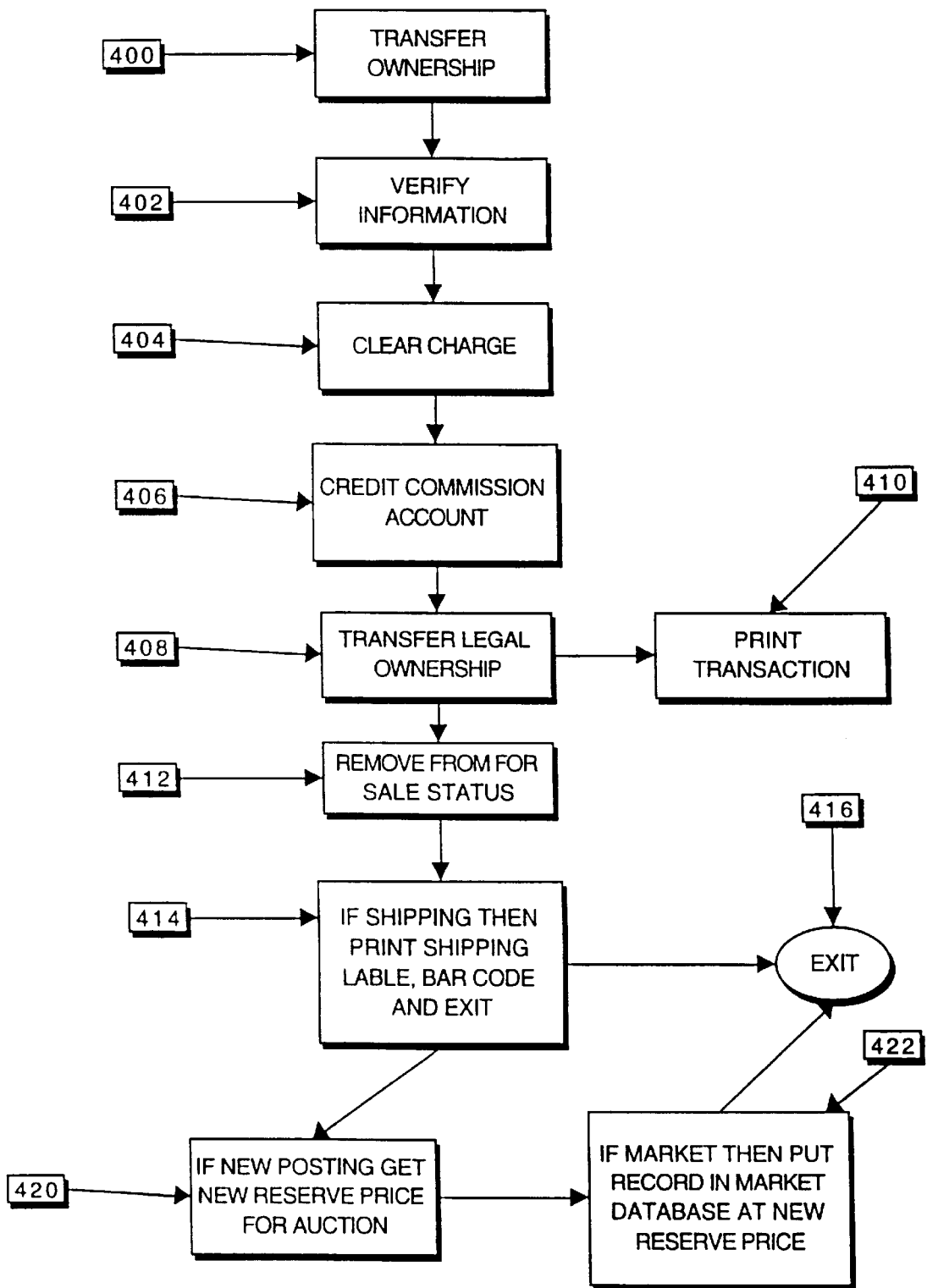


Figure 7

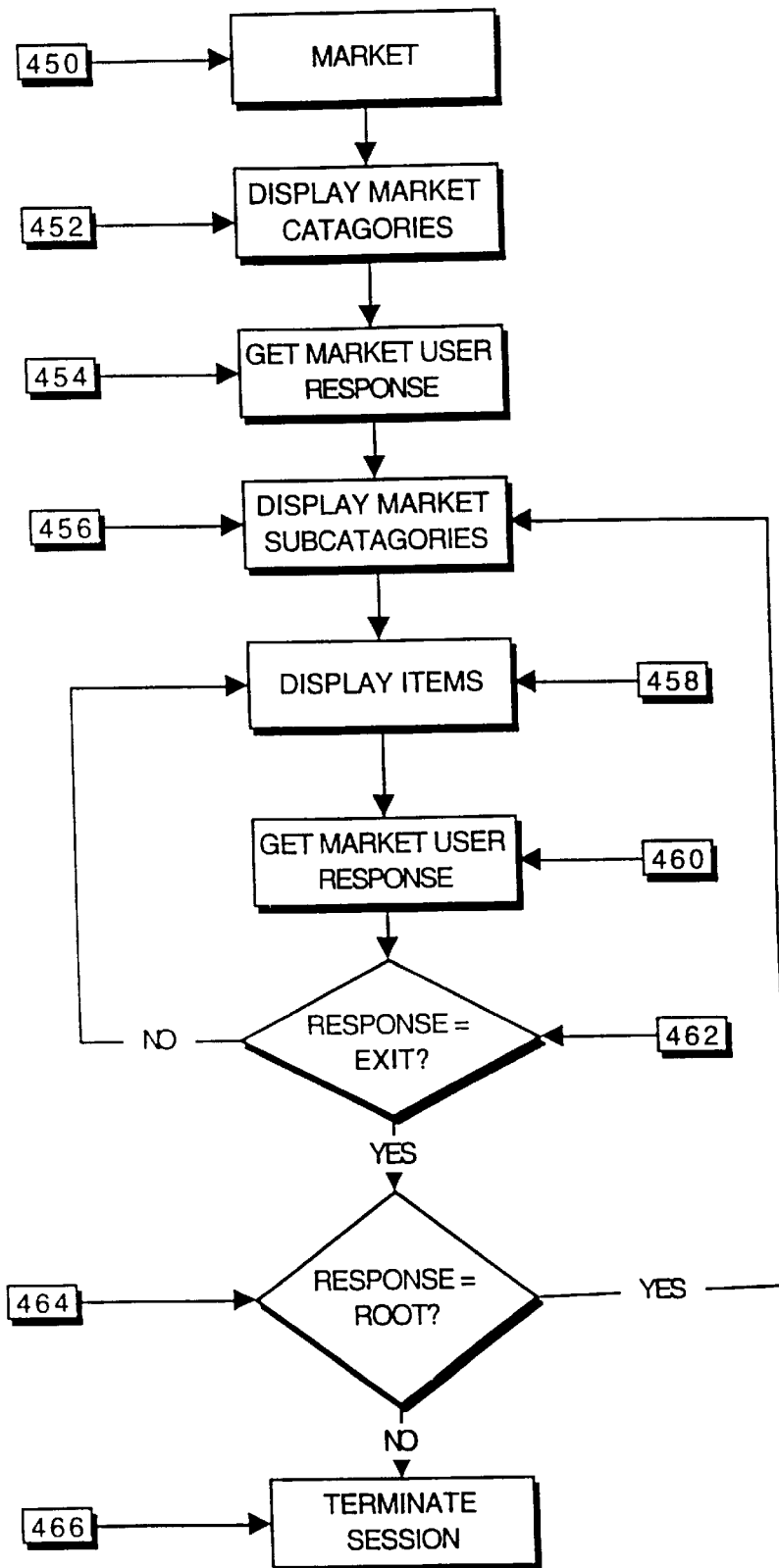


Figure 8

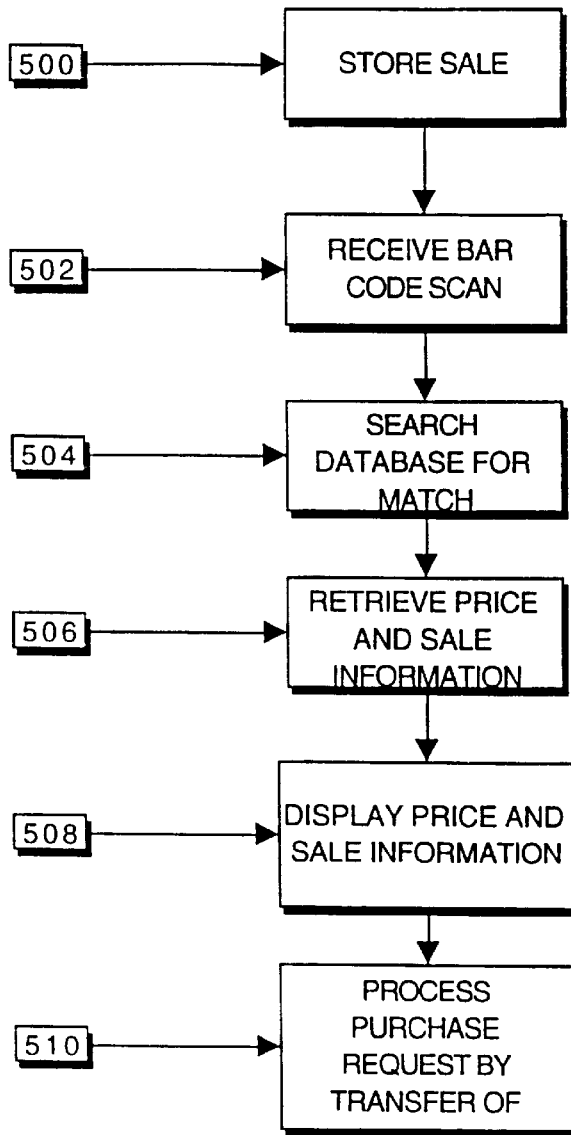


Figure 9

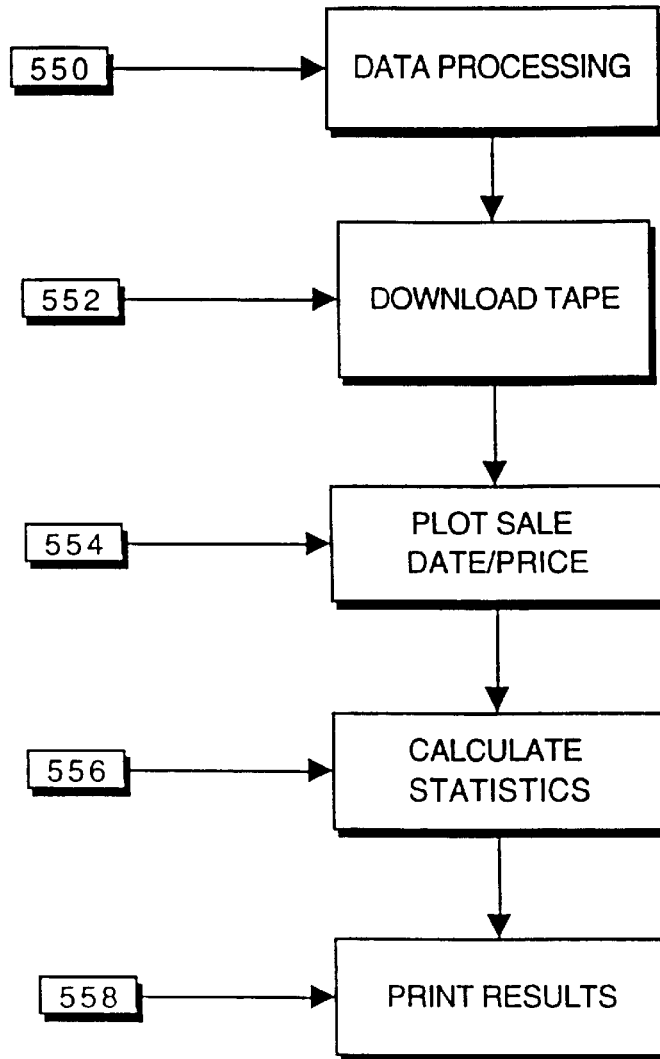


Figure 10

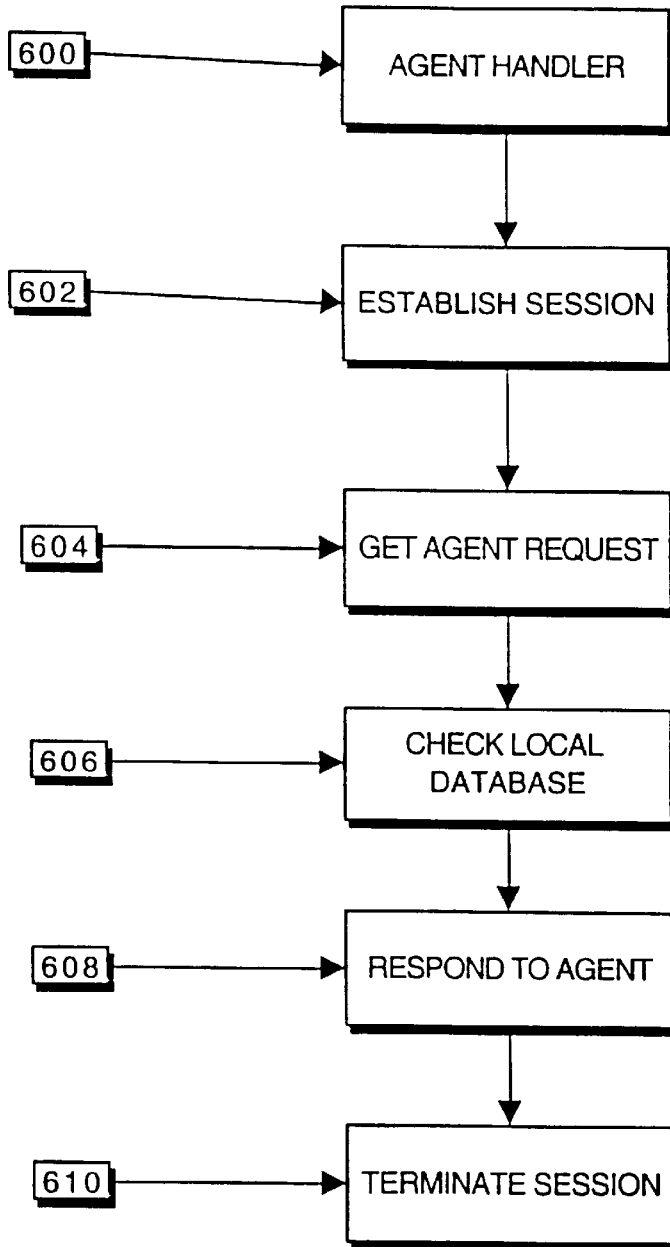


Figure 11

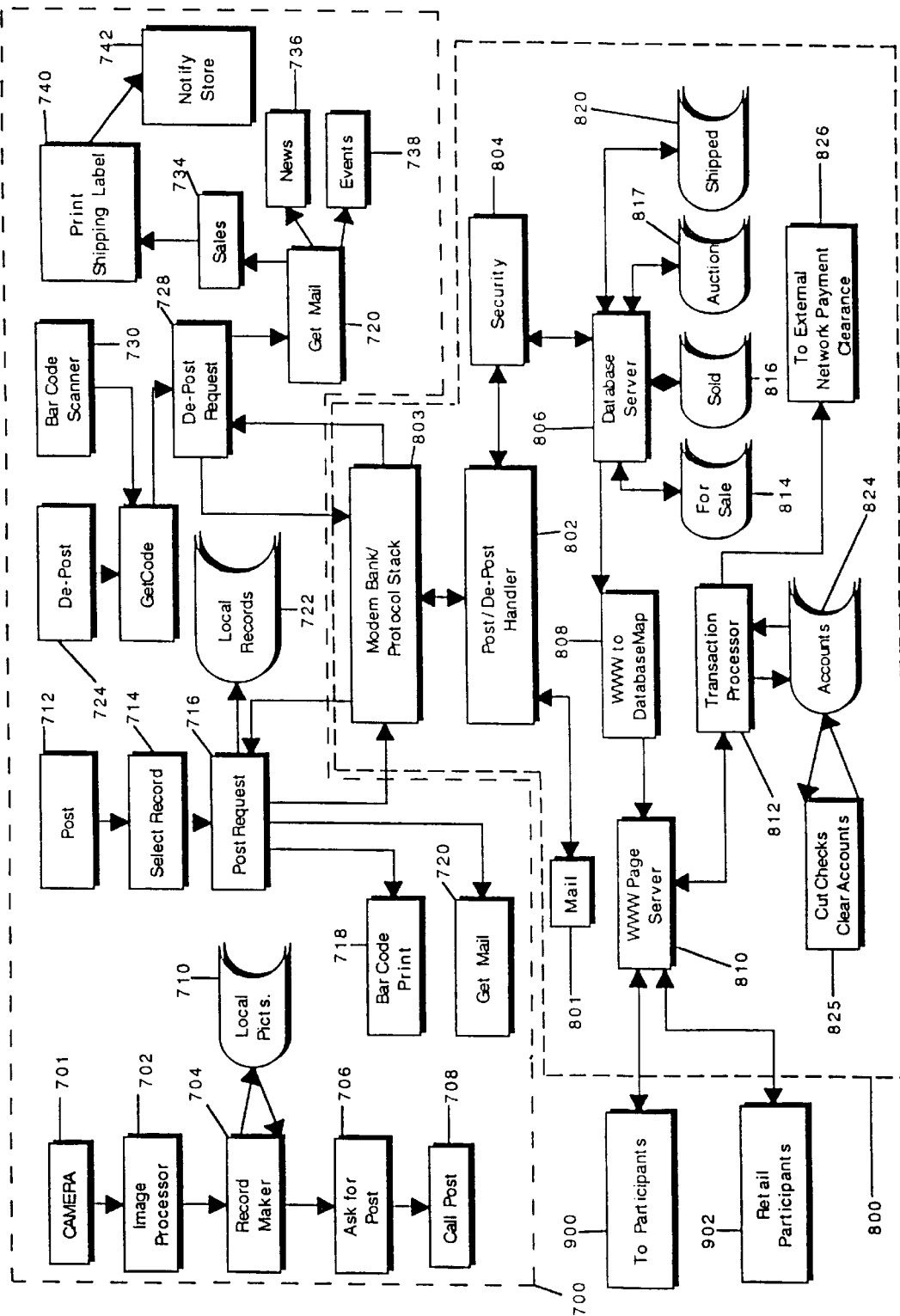


Figure 12

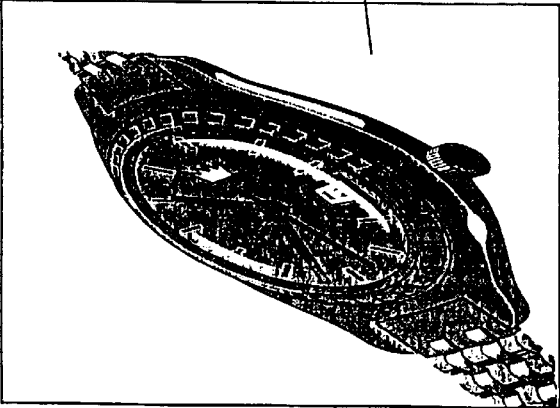
CAMERA		POST		SALE		DE-POST		FILES		MAIL	
926											
ITEM: 924	9 28	9 22	9 30	9 32	9 34	9 38					
1974 ROLEX SEA-DWELLER		CATEGORY:		SUBCATEGORY:		CODE		POST DATE		STORE: TOM'S COLLECTIBLES	
		MARKET: 9 20		DISCRIPTION:							
PRICE:	964	\$4,500.00 US		962	RESERVE PRICE:		960	\$4,250.00 US		958	
				<p>This is a mint condition Rolex that was a gift to the previous original owner. Never worn. A gem like this does not come around often.</p>							

Figure 13

CONSIGNMENT NODES**BACKGROUND OF THE INVENTION**

This application is a continuation in part of U.S. patent application Ser. No. 08/427,820 filed Apr. 26, 1995, incorporated herein by reference in its entirety. The present invention relates to used and collectible goods offered for sale by an electronic network of consignment stores. More specifically, the present invention may be an electronic “market maker” for collectable and used goods, a means for electronic “presentment” of goods for sale, and an electronic agent to search the network for hard to find goods. In a second embodiment to the present invention, a low cost posting terminal allows the virtual presentment of goods to market and establishes a two tiered market of retail and wholesale sales.

Certain items and used goods have a large following of collectors. These items include baseball cards, dolls, pens,, watches, comic books, stamps, coins, and the like. It is well known to establish shops specializing in these items. It is also well-known to establish boards for the sale of used goods. And is known to sell new goods on a special television channel like the Home Shopping Channel.

The prior art does not provide a means to electronically market used goods or provide an avenue to allow participants to speculate on the price of collectable or used goods in an electronic market place. Moreover, the art does not show a way for small to medium size business to use a low cost posting terminal in conjunction with a market maker computer to collectively create a virtual market for used and collectible goods. Thus, to address the short comings of the art the present invention has the following objectives:

SUMMARY OF THE INVENTION

To establish a low cost computer means for a used good and/or consignment stores to establish a “trusted” computerized market for used and collectible goods.

To establish a computer means to administrate and provide inventory tracking to used good and/or consignment stores when the stores make a virtual presentment of a good to a computerized market and the good is sold at the virtual market and/or the good is sold through the store front.

To establish a computer means to double tier a computerized market for goods, where the first tier is a retail price and the second tier is a wholesale or dealer to dealer price and an authorized dealer has pre-approved access to the dealer-to-dealer price and may charge and display the retail price to a local store customer.

To establish a computer means for archiving records of transactions in a computerized market for collectible and used goods and distributing the archive to computer terminals that may then research and analyze valuation and price trends of collectible and used goods in the computerized market.

To establish a computer means for a used good store or consignment store to sell used goods and collectibles electronically and to provide the automatic electronic re-sale of goods purchased.

To establish a market for goods with a dominant electronic “market maker” node to allow collectors to speculate on the collectable goods market.

To provide the excitement of a “live” auction house type atmosphere to remote participants in a electronic auction.

To provide data analysis to the market makers of collectable good or consignment node users on the price, price movements, and quantity of collectable goods in the virtual market.

To provide an electronic agent interface for participants to search a plurality of consignment nodes to search for a used good or collectable item.

To provide a means to track down the owner of a particular used or collectable good.

Further, to provide a trusted network of consignment nodes that act as brokers to provide a means to electronically present a used good or collectable to an electronic market.

The foregoing objects and advantages of the invention are illustrative of those which can be achieved by the present invention and are not intended to be exhaustive or limiting of the possible advantages which can be realized. Thus, these and other objects and advantages of the invention will be apparent from the description herein or can be learned from practicing the invention, both as embodied herein or as modified in view of any variations which may be apparent to those skilled in the art. Accordingly the present invention resided in the novel methods, arrangements, combinations and improvements herein shown and described.

The present invention is a network of consignment nodes and a low cost easy to use posting terminal for the virtual presentment of goods to market. A consignment node is a computer database of used goods preferably operated by a used good, collectable shop keeper or a bailee. A posting terminal is a low cost easy to use computer and computer peripheral devices used by a small store owner to present goods to a computerized marker and track the sales of goods and control the posted inventory. All consignment nodes users or operators, hereinafter users, are “trusted” licensees or franchisers of the software and hardware necessary to create and operate a consignment node. Thus, the network provides a trusted means for consignment node users, e.g. shop keepers, to establish electronic markets for collectable goods, establish electronic auctions, establish a means for searching each others shops to locate hard to find collectibles items, and a means to electronically present goods to a market. The present invention will allow, or license, certain consignments nodes to become a dominant market maker for a particular class of goods, for example, a consignment node franchise may be given the rights to establish the dominant market for collectable antique pens. It is understood, a central market maker computer may be virtually divided into different markets with posting terminals used as the means for the market to obtain virtual title goods. Other consignment nodes, after taking physical possession of a good, may make an electronic presentment of that good to such a dominant consignment node market. Thus, a local collector of antique pens may bring a pen to a convenient consignment node in Smalltown, USA, the consignment network would allow this collector to electronically “present” his pen to the dominant market make node for antique pens in for example, Chicago. Participants, e.g. customers and collectors (hereinafter “participants”), may reach a dominant node’s market, or any other consignment nodes electronic store, from his or her home by logging on from a PC located at the participant’s home to their locally operated consignment node and reaching the distant consignment node through the network of consignment nodes. Thus, each consignment node user, e.g. shop keeper, has a potential participant, i.e. customer base, of all consignment node participants. In other words, a potentially huge customer base that incurs the minimal cost of a local consignment node connection may reach any other consignment node through the consignment node network. And local collector’s may economically participate in the collectable markets by using local access to a convenient consignment node “trusted” bailee, and electronically presenting collectable goods to an electronic market.

A consignment node in a simple form may have a computer 10, a digital camera 12, a bar code scanner 14, a display 16, a printer 20, a keyboard 18, a database 22 and a network connection 26 collectively called hereinafter a consignment node. The present invention also has a user interface application program to execute an a user or participant's data terminal 28.

The consignment node may have four modes of operation: a software download mode, an auction mode, a market mode, and an agent mode. The software download mode allows a participant to log into the consignment node and receive a download of a participant interface application program. The auction mode allows a participant, from the participant interface application program, to log into a consignment node to partake in an electronic auction. The market mode allows a participant with the participant interface program to log into a consignment node to browse the consignment node database to search for a used or collectable good. The agent mode allows a participant to log into a consignment node to formulate a search request for a particular used good or collectable. The consignment node may search its own database for the requested good and/or generate agents to search and report back a search request of other consignment nodes.

The present invention may allow a participant to electronically purchase goods from a consignment node and to select whether the good should be shipped to a participant designed location or the participant may take electronic legal ownership of a good and post a new participant defined offer or reserve price. By the interaction of a plurality of participants buying and selling collectibles on a consignment node, posting "buy at" and "sell at" quantities and prices the consignment node may establish a market or become a "market maker" for collectable goods. A participant may also elect to electronically transfer or present a good to a different consignment node or market. This allows a participant to speculate with collectable goods on the consignment node network's different markets and not incur the shipping costs with physically moving the goods, while providing a trusted means to assure potential buyers of the good's bona fide availability and legal title.

The consignment node operator or purveyor, hereinafter referred to as the consignment node user, establishes his consignment node by creating a database of used goods or collectibles, hereinafter the term "goods" shall be used to reflect used goods, new goods and collectibles. The user takes the first good to be put on the database and invokes the consignment node software to create a data record. For example, the user owns a baseball card collector shop and the user wants to post his Babe Ruth collection. The user in this instance invokes the consignment node to "build the database mode" and the invention initializes the digital camera 15. The user then "photographs" or digitizes the image of the particular Babe Ruth card. The consignment system then displays an empty database record on the display to accept text information concerning the card.

The user fills out the display record with information concerning the particular Babe Ruth card. The consignment node verifies that enough information has been filled out in the displayed computer record, as well known to the electronic database arts, and accepts the record. It should be noted that the consignment node database record has data fields for the consignment node user to add value to his consignment node postings with subjective information such as condition of the card, special features such as autographed by Babe Ruth, and the like. Thus, the consignment node user may build business goodwill into his particular consignment

node operation by establishing his own particular subjectivity and quality standards in item postings.

After the data record or the particular Babe Ruth card is accepted by the consignment node the system may print out a bar code label on the printer 20. The user may then put the particular Babe Ruth card into a plastic bag and affix the bar code label to the bag. The bar code labeling system becomes a useful inventory management tool discussed below.

It is understood in this first example that the consignment node user is the legal and equitable owner of the Babe Ruth card and that the user posted a reserve or offer price on the particular card at his posting. In a second illustrative example, a local resident would like to post, for example, his Frank Robinson baseball card. The resident brings his Frank Robinson card to the baseball card store and tells the consignment node user he would like to offer his Frank Robinson card for a consignment sale. Again, the consignment node user invokes the system database posting mode and "photographs" the Frank Robinson card with digital camera 12. As above, the user fills in the system generated display prompt for information concerning the Frank Robinson card. The resident informs the user of the reserve or offer price and signs or agrees to a consignment contract with the consignment node user to accept the consignment terms to pay the consignment node user on the sale of the card, for example 6%, of sales price as a consignment fee. Again, the system may print the appropriate bar code for the Frank Robinson card. The consignment node user then takes possession of the card and may affix the bar code label to an appropriate cardholder. It should be noted by the consignment node user may again "add value" to his consignment node by entering subjective criteria in the database entry for authenticity, condition, special attributes and the like. The participant or local resident may now electronically present his Frank Robinson card to any consignment node, consignment node auction or consignment node market maker in the consignment node network.

These processes may be repeated again and again to establish a substantial database of goods for sale. It should be noted that the consignment node user may at his discretion take postings from reputable dealers or collectors via a facsimile machine or other forms of electronic or verbal presentment of a good for sale. It is within the sound discretion of an individual consignment node user to establish these practices. It is within the scope of the invention, however, to take electronic postings from other consignment node users or individuals over the network, as discussed below. Each consignment node user may be a franchisee of a central franchiser and the franchiser may police the network to give quality control, detect fraud and revoke the franchises or licenses of poor quality consignment node users. Thus, the consignment node is a "trusted" network for consignment node users providing value to the network by imposing a quality and performance structure on the consignment nodes. The same franchise enforcement scheme is also available to the low cost posting terminal embodiment to the present invention.

The Sale

A buyer, hereinafter participant, may electronically log onto a consignment node via a network connection by use of a PC with participant interface software, through an interactive television application, workstation, internet browser or the like. The network connection drivers for the consignment node are discussed in detail below. The participant may enter the browse node and peruse the consignment node

database of goods. It is understood that the participant may receive the image taken with a digital camera 12 of the goods at the participant terminal. The participant, upon finding for example the above-posted Frank Robinson card may decide to purchase the card. The participant may present electronic payment to the consignment node by entering a credit card number and expiration date or other forms of electronic payment. It is understood that a secure and/or encrypted means may be established between a participant's interface application and a consignment node to transfer sensitive or theft prone information. Moreover, a participant may establish an account with his local consignment node to be debited and credited with the funds used and generated with his transactions.

The consignment node may, for example, clear the transaction by charging the participant's charge card account and crediting the consignment node store account by well-known credit card clearing techniques. After the consignment node has cleared the transaction the system electronically transfers ownership of the Frank Robinson card to the participant. The participant may then be presented with the choice of directing the delivery of the Frank Robinson card to a desired location or may choose to post a new reserve or offer price for the card and direct the card to remain in the possession of the consignment node user. Thus, the consignment node allows a participant to speculate on the price of the Frank Robinson card and establishes an electronic market for the Frank Robinson card. It is understood that the consignment node may have many Frank Robinson cards available, thus by the interaction of collectors electronically buying and selling the collectibles it will establish a market price for a Frank Robinson card or any other good. For each transaction, the consignment node user extracts the small consignment fee, e.g., 6% of the sales price, thus the consignment node user directly benefits from operating a reputable consignment node. If the participant elects to take delivery of the purchased goods then the consignment node may track the delivery and ownership of this good to this particular participant in a data record. This data record may be useful to speed the posting of the good, should the participant later decide to re-post and sell the good, and it also creates a valuable database of records to track the possession and ownership of a collectable. This feature may be useful in the agent mode, e.g., tracking down very hard to find items, discussed more fully below.

The Auction

For a rare good, a good in a volatile market, or a good's initial posting the consignment node user or participant may wish to auction the good, with or without reserve, to the highest bidder. In this mode, the good may be posted on the consignment node by the means described above but the data record representing the good is identified as waiting for an auction date and may not be purchased on the electronic market. Alternatively, an item may be in the electronic market of the consignment node with a high reserve price that may be lowered in the auction or liquidation mode. Here the consignment node user or the good's participant owner may enter a protected data field a confidential reserve price for the auction mode. The consignment node user arranges by invoking the appropriate consignment node program a time and date for an electronic auction. The consignment node user or good's participant owner may establish, in a data record that represents the good, a desire for the item to be auctioned. For example, a pawnshop operator of a consignment node may have several Rolex watches he wishes to auction with reserve this Saturday night at 7:00

p.m. The consignment node user, here a pawnshop, identifies on the Rolex watch records the auction date and the confidential reserve price. The consignment node system may "advertise" auction dates, items and auction terms in the consignment node log on welcome message discussed below. Moreover, a good that is identified as awaiting an auction date may be viewed before auction in the consignment node browse mode by a perspective auction participant.

At the auction date, perspective participants log onto the consignment node auction mode locally or through the consignment node network and await the first good to be auctioned. It is understood that in the best mode of the invention the participant will have a data terminal with a digital to analog converter such as a "sound blaster" and speaker, the digital to analog capability may be used in the auction mode to bring the aural excitement of an auction, e.g., the call of the heckler, the caller and bidders, home to the auction participant. This is discussed in more detail below.

The consignment node takes the first item to be auctioned and posts the image of the good and the good's text record to the participants. The consignment node then posts the opening bid. It is understood that the bid postings may be in a protocol that invokes the generation of an auctioneer's voice at the participant terminals. The participants may then respond with a higher bid. The consignment node mode scans electronically the participants for bids and accepts the highest bid. If bids are tied the consignment node may take the first highest bid by the participants log on order. A particular bidding participant receives a special acknowledgment from the consignment node that her bid was accepted. The consignment node then posts the higher bid to all the electronic auction participants. The consignment node repeats this process until no higher bid is received for a predetermined amount of time and closes the auctioning of that particular good. The consignment node then checks whether the highest bid received is greater than the reserve price, if appropriate. The consignment node may then post sold! and the sell price to all participant terminals and proceed to post the next item for auction. Again a successful purchaser may elect to direct delivery of the good or post the good on the electronic market at a new participant determined offer price.

It is understood that the terms of the auction sale are posted and agreed to by the participants before allowing a participant to bid on goods in compliance with local requirements and statutes. It is also understood that a participant may make electronic payment for the goods or establish a line of credit or collect on delivery terms within a particular consignment node user's discretion. This may be established by a relationship between a local consignment node user and a local participant at the local consignment user's discretion.

It should be noted that a consignment node user may sell virtual advertising space or a central master node e.g., the franchiser, may coordinate the sale of advertising space on a pool of consignment nodes to reach target market participants. For example, if a participant has purchased or speculated in antique pens, and advertisers of an antique pen specially consignment node wishes to target market individuals on the network who have purchased collectable pens in the past. A central coordinated master node may sell advertising to an advertiser for the log on message or e-mail targeted participants and users. Thus, the network of consignment nodes can establish a market for target marketing or blanket advertising of goods and services sold locally or on a network level by a central node.

The Agent

The Agent Mode allows a consignment node participant to search a plurality of consignment nodes and purchase records for a used good. A participant may log onto his local consignment node to shop. This participant, for example, may be interested in purchasing a particular used coin for her collection. The participant may invoke a consignment node Agent to search the network of consignment nodes for this coin. The participant fills in the search parameters for this coin, for example, a 1872 U.S. penny from the Denver Mint. The consignment node Agent task handler verifies the Agent form is sufficiently filled out and accepts the task. The Agent checks a list of other consignment nodes network addresses kept by the local consignment node database and generates an Agent communication message to each consignment node on the list and begins to establish communications to the other consignment nodes. An Agent message between consignment nodes begins by coordinating or reconciling the database on each consignment node of the locations and/or address of other consignment nodes. If a consignment node has a different list of consignment nodes in its database it will pass the node update information to the other consignment node. The consignment node originating the Agent task will generate a new Agent task to accommodate the information concerning the new consignment node. Once the consignment node database of consignment nodes is reconciled, the Agent will search the consignment node database for the goods requested. The Agent will report back whether the search of the local market database was successful and how many good that matches the Agent search request it found. An Agent may also search the consignment node database of past transactions to identify an owner of a particular good. The Agent may then report that John Doe of Main Street, U.S.A. was the last known purchaser of a 1872 U.S. penny from the Denver Mint at this node. It is understood that differing levels of privacy are available to consignment node purchasers, so as only allowing the local consignment node user to view past purchaser information and/or provide the Agent with an option of contacting that consignment user so he may contact the prior purchaser, thus, protecting privacy while allowing bona fide offers to reach the prior purchaser in confidence.

Once some of the Agents start reporting back to the Agent originating consignment node, the originating consignment node may report the results to the consignment node participant of the Agents' results. Such results may give the total number of matching items found thus providing the local participant/collector an indication of the depth of this market. It is understood that a local consignment node user may charge participants for Agent requests.

Computer Implementation

In the preferred embodiment of the present invention a consignment node may use a multitasking operating system such as UNIX, OS/2, NT or VMS. However, a Microsoft DOS or Windows implementation is within the scope of the present invention. The consignment node may be networked via TCP/IP and the internet or a private TCP/IP network or X.25 private or public network or service providers network of ISDN, ATM and the like. It is understood, that a consignment node may support a plurality of protocols simultaneously. Moreover, it is understood that the participant interface application program may execute on a wide variety of platforms such as PC's, MAC's, Power PC's, workstations, cable set-top boxes, video game hardware and the like and are within the scope of the present invention. The posting terminal embodiment is discussed in detail below.

BRIEF DESCRIPTION OF THE DRAWINGS

FIG. 1 shows the consignment node of the present invention may have a computer 10, a data storage device 22, a tape drive 24, a digital camera 12, a bar code scanner 14, a display 16, a keyboard 18, a laser printer 20, and a network connection 26. A participant user terminal is shown at 28.

FIG. 2 shows a schematic block diagram showing the logical flow of a user log in at a consignment node.

FIG. 3 is a schematic diagram showing the logical flow of the consignment node auction process.

FIG. 4 is a schematic diagram showing the logical flow of the consignment node market or browse mode.

FIG. 5 is a schematic block diagram showing the logical flow for posting a new used good on the consignment node.

FIG. 6 is a schematic diagram of a subroutine that may be used to post auction bids.

FIG. 7 is a schematic diagram of a subroutine that may be used by the consignment node auction process to receive participant auction bids.

FIG. 8 is a schematic diagram showing the logical flow for a subroutine that may be used to transfer ownership of an item.

FIG. 9 is a schematic diagram showing the logical flow for a consignment node in-store sale of a good.

FIG. 10 is a schematic diagram showing the logical flow of post-processing and analyzing consignment node sales.

FIG. 11 is a schematic diagram showing the logical flow of the consignment node Agent handler subroutine.

FIG. 12 is a block diagram of the posting terminal to market maker computer connections.

FIG. 13 is a diagram showing a user interface on a posting terminal or consignment node.

DETAILED DESCRIPTION OF THE PREFERRED EMBODIMENTS

It is understood that the get session identification procedure 100 is a routine that monitors the communication ports and virtual communication ports residing on a protocol stack. The consignment node may use, for example, a X.25 interface card, available from Eicon Corporation or Frontier Corporation to execute an X.25 protocol stack in a PC workstation. The get session identification 100 program may monitor the X.25 protocol for incoming calls. If the program identifies an incoming call it may answer the call by transmitting the appropriate X.25 packet to the network on the appropriate virtual channel. It is understood that other protocols, such as TCP/IP, DECNET, SNA and ATM are within the scope of the present invention and that multiple protocol stacks may simultaneously execute in a consignment node. Therefore, the get session identification program 100 may have multiple instances to connect and monitor the various protocols. After the get session identification 100 has appropriately answered an incoming call to the consignment node, it may invoke the display welcome message and menu routine 102.

It is understood that the get session identification 100 provides sufficient information to the display welcome message and menu 102 to allow the display welcome message and menu 102 to connect to the appropriate session or virtual channel. At this juncture, if the participant is using an approved interface program, the interface program will send a predetermined code to indicate its version and other characteristics of its display driver. If a participant is logging in from a TTY terminal or other terminal the display

welcome message and menu **102** may detect this information and send the appropriate TTY welcome message. This procedure may also be used to identify features and languages supported on various internet world wide web browsers. It is understood that the welcome message is viewed by the consignment node user as virtual advertising space that may be sold by the consignment node user or coordinated with the master control node (discussed in detail below). The participant may respond to the display welcome message and menu **102** program by giving an appropriate log on response **104**. The get log on response **104** may verify and grant a level of access privileges to the participant. It is understood that the consignment node user may require the get log in response **104** to retrieve a credit card number, pin number, user ID and the like, to grant access privileges. If a participant is using a TTY terminal those sessions may be shunted to the download interface program (DIP) **106** routine to receive an appropriate interface program from the consignment node. The DIP **106** may present a list of choices as to what version interface program should be downloaded, such as DOS, Windows, UNIX, MAC platforms and what transfer program is desired such as Kermit, Xmodem, FTP and the like. A participant with a participant interface program may also elect to receive a new interface program from the DIP **106**. It is understood that an older, no longer supported interface program participant may be shunted to the DIP **106** to receive a new interface program.

A participant with a supported interface program may select the auction **108**, market **110** or agent handler **112** sections of the consignment node. If a participant selects auction **108** the participant may be presented with a menu of auction selections such as auctions in session, future auction times, dates, locations and topics, and auction preview. If a participant selects auctions in session the participants' session is passed to the appropriate auction handler, as discussed below. If a participant selects future auctions the participant will be given a list of future auction times, dates, terms, locations and topics of auctions on this and other consignment nodes. It is understood that these displays represent a virtual advertising opportunity for the consignment node user and the advertising space may be sold by the consignment node user or by the master control node. If the participant selects the auction preview, the auction process **108** passes the participant session to the market session **110** with data that indicates an auction preview desired by the user.

If the participant selects the market **110** choice the participant is given a menu of markets that the participants may browse, discussed further below. If the participant selects the agent handler **112** the participant may be provided with an electronic form to create a search for a good. The participant may then execute this Agent's search request to search the network of consignment nodes databases to look for the desired goods. The Agent is discussed more fully below. The Agent Handler **112** also receives incoming calls from other agents to process the external agents search request on the consignment node. The participant interface and consignment node participant functions are discussed in detail below. It is understood that the agent may also function between virtual markets on a market maker computer and with the transaction archive database discussed below. The discussion now turns to the operation of the consignment node by the user.

FIG. 3 shows a logical flow diagram of the steps the consignment node may use to create a database record of a good for sale or for auction.

The consignment node user may invoke the consignment node program to enter the posting **200** mode to create a data

record for the good. The posting **200** mode initializes **204** the consignment node to receive information on a new good. The initialization **204** step displays a data record with data fields on the consignment node terminal for the user to fill in information on the good. The initialization step **204** also initializes the consignment node peripheral devices such as the digital camera **12** and the printer **20**. The consignment node user then "photographs" or digitizes the image of the good from one or more perspectives as well known to the digital camera arts. The consignment node receives the digitized image(s) at receive image **206** step. The consignment node program then prompts the consignment node user for information on the good **208**. The consignment node receives information **210** that the consignment node user inputs to the data record displayed at step **208**. The consignment node program verifies **212** that the necessary information, such as owners name, reserve price, market or auction designation is in the data record. The verify step **212** will reject the record and return the consignment node user data entry mode **210** if the record does not have the minimum information. If the record is verified **212** as complete enough to commit to the consignment node database, a data record is created **214** and linked into the consignment node database. The consignment node program then generates and prints a bar code **216** that indicated the data record. The bar code system is used by the consignment node to maintain an accurate inventory and is a hook for local sales (discussed below). The posting routine may then exit **218** and return from the posting program. By repeating the posting routine of FIG. 3 the consignment node user may build a database of goods for the consignment node market, auction and/or agent searches.

FIG. 4 shows the logical block flow diagram of the processes the consignment node may take to execute an auction. It is understood that the consignment node user may manually invoke the auction process, or may schedule the consignment node to execute the auction process. The auction process begins by initializing **250** the data structures, records, queues and the like to conduct the auction process. The connection between the auction process and auction participants is discussed below. The auction process gets the first item to be auctioned **252** from the database of goods to be auctioned **254**. The consignment node then calculates the opening bid **256** by a predetermined formula such as 50% of the reserve or general solicitation of an opening bid is posted to the auction participants **258**. The consignment node auction mode then scans the participants for a higher bids **262**. If a higher bid is found the new bid is posted **264**. It is understood that the steps of checking for bids **260** determines if the bid is higher **262** and posting the new higher bid **264** is repeated until no higher bids are received. After the typical auction closing of going once . . . twice . . . three times the auction is closed **266**. The consignment node auction program then compares the highest bid received with the good's reserve price **268** to determine whether to transact the sale. If the highest bid is greater than the reserve price the consignment node auction process posts sold! for xxx amount to the auction participants and calls the transfer ownership subroutine **270**, discussed further below, and transfers the ownership of the good. If the highest bid is less than the reserve price the consignment node auction process announces no sale! **272** to the auction participants. The auction process then proceeds **274** to get the next good to be auctioned **278**. The consignment node auction process is then repeated until all the goods to be auctioned have been run through **278**. The consignment node auction may then close and terminate the

participant sessions **280**. It is understood that the transfer ownership **270** sub-routine may require time to clear the transaction and, therefore, may be best implement as a spawned child process to the auction process. This will keep the consignment node auction executing at an exciting and fast pace for the participants. The consignment node auction process itself may execute in several instances to provide simultaneous auctions on a consignment node. Thus a consignment node may conduct several simultaneous auctions on several virtual runways. It is understood that in the auction mode the consignment node and the participant interface software may communicate using a protocol that allows the consignment node auction driver to "point to" locations stored in the participant interface software, to cause the participant interface software to generate the sound of a auctioneers voice on the sound blaster, or equivalent board. Thus, the present invention uses pre-stored sound samples of different auction prices and auctioneer "string" along aural calls inside the participant interface software, and allows the generation of said pre-stored sound bites to be invoked by the consignment node driver through the said special protocol. This method greatly reduces the bandwidth necessary for a consignment node to support the generation of exciting auctioneers calls at a plurality of participant terminals. It is understood that the generation of an audio bit stream from the consignment node to the participant terminals is also with the scope of the present invention.

FIG. 5 shows the logical flow for the post bid subroutine **300**. The post bid sub-routine may be invoked from several consignment node processes, those specifically described thus far are the post opening bid **258** and posting bid **264** logical processes. The post bid **300** sub-routine is used to communicate between a consignment node and multiple participants. The post bid **300** sub-routine gets participant session identifications **302** from a data record or data structure that contains a list of session identifications of participants who have logged onto the auction sessions. The next step sends the bid passed to the post bid **300** subroutine to each participant session identified in the data structure **306**. Bids are posted to each participant through an appropriate driver **308**. The driver may be identified for each particular user session. For example, a PC user logged into the consignment node via an X.25 virtual channel may require a host PAD driver in the consignment node to communicate asynchronously to the PC terminal interface application. A network user may require a TCP/IP driver to connect between the consignment node and the participant networked terminal. After communicating the bid to participants through the appropriate device driver **308**, the post bid sub-routine may exit and return **310** to the calling routine.

FIG. 6 shows the consignment node subroutine to check participant sessions for bids during the auction mode. Check for bids **350** maybe a subroutine called by the auction program to scan for bids. It is understood that when a participant logs into the consignment node and selects the auction mode, (see FIG. 2), the participant's session identification is passed to a data structure. The data structure maybe used by the check for bids **350** sub-routine to correctly identify participants at a particular virtual auction. As noted above, the consignment node may support multiple simultaneous auctions, therefore, may require multiple instances of the aforesaid data structure. The check for bids sub-routine **350** opens or connects to the appropriate data structure storing or holding participant session identifications who are participating in the check for bids calling auction program instance at the get session identification

step **352**. The buffers associated with each session is scanned for an input **354**. If a participant has input an "exit" command or symbol **356** the routine removes that participant's session identification from the auction identifying data structure and allows the participant to exit **362** the auction. The participant's session identification may be returned to a data structure that allows the participant to return to the consignment nodes main menu, see FIG. 2, or terminate the participant session. The subroutine then compares the bids and takes the highest bid **358**. If bids are tied for the highest bid the sub-routine may use the first received bid and reject the others **358**. The sub-routine then notifies the participant session who had the highest bid **360**. It is understood that the take the highest bid step **358** and notify bidder step **360** are aware of the current bid price for a good and will not allow a lower bid to be accepted. It is understood that the participant session buffers are flushed after they are scanned to remove old or latent bids. The check for bids sub-routine then returns to its calling routine.

FIG. 7 shows the transfer ownership routine **400** that may be used to transfer the ownership of goods and collectibles in the consignment node. The transfer ownership sub-routine may be called from several consignment node modes and processes to effect the transfer of legal ownership. The first step in the transfer ownership sub-routine **400** may be to verify a participant purchaser information **402**. It is understood that the consignment node may use a variety of well known authenticating procedures to verify a participant, such verification techniques include personal identification numbers (PINS), passwords, call back, and a plethora of encryption techniques and personal information identification means to provide a reliable verification technique. It is understood that a consignment node user may have established a credit or deposit account for the participant from past sales or the transfer of funds and the verify step **402** may connect the participant to the account. The clear charge **404** step is used to clear the participant consignment node transaction. It is understood that this may be via an external credit card clearing network, a connection to a credit account, or though one of the many proposed electronic fund transfer schemes such as debit cards, e-money, and clearinghouses. After the transaction clears the charge **404**, the consignment node credits the consignment node users commission account **406** to extract the consignment node transaction fee. The consignment node then transfers legal ownership **408** of the good by changing the ownership entry in the data record in the consignment node of the good. The consignment node may then print a record of the transaction **410**. It is understood that step **410** may also be used to keep a log on the consignment node storage or tape drive. The consignment node then removes the good from sale or auction status **412**. It is understood that the data record representing the good is "locked" during the transfer ownership sub-routine to prevent collisions of actions and transfers of the good. If the participant has elected to ship goods then the consignment node will print a shipping label **404** for the consignment node user to attach to the good for shipment. The transfer ownership routine may then exit **416**. If the participant has elected to re-post the good or collectable the participant may specify a new reserve or offer price for the good or collectable. It is understood that the purchasing participant may elect to leave the good or collectable at the consignment node and post a new offer or reserve price and may identify that the good is on the market, e.g. may be bought and sold at any time, or that the good is awaiting an auction date. Moreover, the participant may elect to have the good viewable on the market or "invisible"

to the market while awaiting an auction date **422**. It is understood that the participant may elect to leave the good at the purchased consignment node and electronically transfer the offering of a good to another consignment node. It is understood that consignment node users may run a "trusted" network between consignment nodes to provide the trust between merchants, that the goods exists and that the network between the consignment nodes to provide for electronic presentment of a good is a secure network connection. This allows collectable goods to be concentrated for a single electronic auction or virtual collectable market on a market maker consignment node without incurring the costs of shipping the goods to a central location to bring the good to the market maker consignment node. It is understood that the trusted posting of goods on a market maker node is a value added feature a small town consignment node user can provide to his immediate collector community. It is understood that the master central node may also serve as a legal consignment node franchising authority to provide enforcement of integrity, security and quality control for the consignment node network.

FIG. **8** shows the consignment node routine that may be used to establish a virtual market. The market **450** may be selected from the consignment node main menu, see FIG. **2**, to allow a participant to browse the consignment node goods database. The market **450** will display to the participant market categories **452**, categories may be defined by the consignment node user to reflect the specialization of his consignment node and the specialized markets or miscellaneous markets for his goods. The consignment node then gets the participants response **454** to the market choices. The consignment node may then display market sub-categories **456**. Again, the consignment node user may specify market sub-categories to reflect the specialization of the consignment node. The consignment node may then display items **458** and get the participant or market user response **460** to the displayed choices. It is understood that the participant may browse or scroll through the goods on the market **462,458,460** until the participant responds with a desire to exit the market **463**. If the response is a desire to transfer to the market root directory **464** then the consignment node will return the participant to the market subcategories **456**. If the participant responded with a desire to terminate the session **466** the consignment node will exit the market and terminate the participant's session. It is understood that during the browse loop **458,460,462** a participant may elect to buy or make an offer on a good and may invoke the transfer ownership routine, see FIG. **7**, to effect the transfer of a good's ownership. It is also understood that a participant may make an offer on a good below the asking (or offered) price. Such a proposed offer may be stored by the consignment node and used to notify the good owner. The good owner may then accept the counter offer or reject. It is understood that a participant counter-offer may be made subject to an acceptance before date. It is also understood that a participant may establish a "buy at" or "sell at" price/quantity for any good in the market.

FIG. **9** shows a logical flow diagram of the process that may be use to transact the transfer of ownership of goods on a consignment node at the store where a consignment node may be located. The consignment node user invokes the store sale sub-routine **500** from a consignment node user terminal, see FIG. **1**. The consignment node user may use the bar code scanner to scan the bar code of the good for sale **502**. It is understood that the consignment node user may manually recall or search the consignment node database for the data record of the good or may let the consignment node

software use the bar code to automatically retrieve the record **504**. The data record is then scanned to retrieve price and sale information on the good **506**. It is important to note that a good, while on display at a consignment node user's shop may have transferred ownership and changed price via network participants. The consignment node then displays this information **508** at the consignment node user terminal. The store customer may then elect to purchase the good. The consignment node may process a store customer purchase request by calling the appropriate sub-routine to transfer ownership, see FIG. **7**, of the good.

FIG. **10** shows a logical process diagram for the central node to collect and process data concerning transactions on a plurality of consignment nodes and provide value added feed back to consignment node users on market positions and is trends. Data processing **550** may be executed on a consignment node or the central node to extract transaction data from a consignment node. It is understood that the tape drive, or storage device may be used to log network transactions on the posting, auctioning, buying and selling of goods and collectibles on a consignment node. This information may be collected by the central node over the consignment node network. The central node may then plot sales, sale date, price over time and the like to create graphs of market performance **554**. It is understood that the data correlation and processing steps **554,556** may be customized to provide a particular consignment node user with useful market information. The central node may also provide hard copies or electronically transfer the information to the consignment node users. It is understood that this may be a value added feature of a service that may be provided by a franchiser. It is understood that the central node may log into a consignment node, with well known remote processing and data transfer techniques such as the logon and FTP UNIX utilities to make changes to the aforesaid virtual advertising space on a consignment node.

FIG. **11** shows the agent handler the consignment node may use to establish agent-to-agent and consignment node - to - consignment node connections to process participant agent requests. The agent handler **600** may be entered by a predetermined series of codes and verification procedures to verify a request for an agent connection to the consignment node is from a bona fide agent and a bona fide consignment node. Once this is verified the agent handler may establish a session for the requesting agent **602**. The requesting agent may then transfer its agents request to the consignment node **604** and the consignment node may then check its local database **606** to try to match the agents search request. The agent handler may then respond to the agents request **608** and terminate the agent session **610**.

A second embodiment to the present invention, shown in FIG. **12**, uses a low cost portable "posting" terminal to allow the virtual presentment of goods to market. The posting terminal has a digital camera, a bar code printer, a bar code scanner, a modem and posting terminal software. The posting terminal works in conjunction with a market maker computer. The market maker computer has a database of goods for sale, a posting/de-posting communication handler, a database to world wide web (www) mapping module, a www server, a transaction process, a posting terminal communication manager, a sold database, a shipping database and an account database and has much of the functionality of the previously described consignment node.

The posting terminal and market maker computer functional block diagram is shown in FIG. **12**. The posting terminal has a camera interface **701**, and image processing module **702**, a record maker module **704**, a storage unit **710**,

for storing images and records that have not been posted, a post module **712**, a select records module **714**, a post request module **716**, a print bar code module **718**, a get mail module **720**, a storage unit for holding posted records and return codes **722**, a de-post module **724**, a get code module **726**, and de-post request module **728**, a bar code scanner interface **730**, another instance of the get mail module **720**, a mail sales routine **738**, a print shipping label routine **740**, a notify store routine **740**, and a check sales module **734**. The posting terminal **700** contacts a market maker computer **800** to check sales, to post goods, to de-post goods and to receive mail. The posting terminal **700** is easier to administrate than a consignment node because it behaves like a retail point-of-sale terminal to manage goods that have been posted and are locally sold. The bar code labeling and scanning routines and methods make it easy for the posting terminal user to maintain an accurate account of what goods have been posted, de-posted, sold and/or shipped. The posting terminal may use an MS-DOS or MS-WINDOWS operating system that is much easier for a small store owner to operate and administer than a complex multi-user system like UNIX or WINDOWS NT.

The posting terminal **700** functionality begins with a user taking a digital picture with the posting terminal digital camera and connecting the digital camera to the camera interface module **701**. The user selects an icon on a graphical user interface generated by the posting terminal software to pull the digital pictures from the digital camera. It is understood that other input devices such as scanners and the like may be use in place of the digital camera. The image process module **702** may convert the digital picture to a compressed data format such, as JPEG or MPEG, more suitable for communication of the image across a data link. It is understood that the image may keep it's full resolution for posting. The posting terminal then invokes the record maker routine **704**. The record maker routine **704** may display the image or allow the user to select an image from storage unit **710**. The record maker may display on a posting terminal display a data entry record with pre-defined text fields, number fields, "buttons," knobs and other graphical user interface objects to allow a user to enter data to complete a posting record.

FIG. **13** shows an example of a graphical user interface that may be presented to a posting terminal **700** user. The graphical user interface for the posting terminal **700** may include an image of the item represented by the record **920**, a description of the item **922**, and **924**, the "push button" commands to receive pictures from the digital camera **926**, to post a record **928**, to clear a local sale **930**, to de-post a record **932**, to access files of records **934**, to view and/or receive and send mail **938**, a database category field **940** with a pull down selection bar **942**, a database subcategory **944** with a pull down selection bar **946**, a code field **948**, a posting date field **950**, a store identification **951**, a market designator field **954**, a description field **956**, a reserve or wholesale price field **958**, and identifier **960**, a retail or full price field **962** and identifier **964**. The category **940** and sub-category **944** data fields are restricted to selections that can be made by the respective pull down bars **942** and **946**. This aids the posting terminal operator in selecting the correct market for the good when creating a record and assures that all records can properly link into a market computer **900** market database. A file may be stored at posting terminal **700** that corresponds to database structure at the market maker computer **800**. Having the database structure in a file at posting terminal **700** may allow the posting terminal to receive updates by remote file transfer

techniques, such as the KERMIT, FTP, xmodem and ymodem protocols. It is understood that certain selections from the market category **940** and subcategory fields may be "greyed" or that is blocked from selection by a posting terminal **700** user to enforce a franchise and/or license grant that only allows posting in a certain field. This may allow a franchising scheme that restricts a franchisee to a field of use and/or category of goods. The code field **948** displays the bar code data in text form that the market maker computer **900** sends to the posting terminal **700** when a record is successfully posted. Therefore, the code field **948** can serve as a quick visual confirmation to the posting terminal user that the displayed record has been posted. The market field **952** may also be a restricted selection field accessible by pull down selection bar **954**. Fields selectable by the market field **952** may include auction, on-sale, hold and the like to give additional directionality to the record posting. The price **964** and reserve price fields **958** may be used to structure the two-tiered market of dealer-to-dealer and retail markets. The reserve price identifier **960** and reserve price field **958** may be hidden from view to retail participants. A dealer may be provided with special logon identifications and passwords to view the reserve price **958** and reserve price indicator **960**. This feature encourages franchisees to use the electronic market for collectable goods dealer participant interface to generate local sales.

The posting terminal **700** user enters descriptions such as the name of the item, the sale price of the item, and a brief description of the item and the like to compose a record. It is understood that a posting terminal user may enter a retail price and a wholesale price. The retail price may then be displayed to participants **900**. Other retail participants **902** may receive the wholesale price. It is understood that this two-tiered pricing scheme may be used to network retail store owners to provide additional incentives for the retail participants to use the network to locate goods and generate sales at the retail point of sale. For example, a retailer may charge the retail price for goods to store customers, while obtaining the benefits, e.g. the profit margin of wholesale or discounted pricing for goods. It is understood that the restricted fields are coordinated with the structure of the For-Sale database **814** to guide a posting terminal **700** user in the proper selection of a market category and subcategory of the posting of a good. Categories may include jewelry, rugs and tapestry, tools, quilts, furniture, art deco, books, pens, coins, stamps and costumes and clothing. Subcategories may include painting and drawings, sculpture, vintage clothing, costumes, shoes, bags, hats, wedding gowns, furs, rug types and the like to structure the database. The user may also select from a list box what category and sub-category from restricted fields in which to post a good. Referring back to FIG. **12**, the user may store a composed record on the storage device **710**. The record maker routine may also contain a command button **706** to immediately post the record **708**. It is understood that the user may designate a time at which the posting terminal **700** may automatically contact the market maker computer **800** and post the selected goods. The post request **716** module may allow a user to select records from storage unit **710** or as in the case where the user selected the immediate post command **708**, the post module **712** may accept a record as an input. The ability of the posting terminal **700** to store and select records for posting asynchronously from when a record is created allows a user to compose records when the posting terminal is isolated from communication with a market maker computer **800**. The post module **712** may invoke the post request module **716** to post the designated records on the market and

make a virtual presentment of a good. Rules and procedures may be imposed on the posting terminal **700** user through licensing and franchise agreements. Such rules may include the requirement that all goods posted must be in the physical and legal possession of the posting terminal franchisee or licensee, that legal possession of a good may be obtained by lawful ownership or through a franchise approved bailment or consignment contract. It is understood that these rules and legal frame work may be imposed to allow the posted record to convey a legal title to a good such that the ownership designated in the record grants lawful ownership to the good designated by the record. The post request module **716** may use a communication package and protocols to transfer the records to the market maker computer **800**. Communication libraries are packaged and are commercially available from WCSC 2740 S. Dairy Ashfor, Suite 188, Houston Tex. 77077 and from Marshallsoft Computing, Inc. at P.O. Box 4543 Huntsville, Ala. 35815. The communication protocols such as FTP and KERMIT may be enhanced by using known encryption and authentication techniques to provide an ultra-secure posting interface. The posting record may also include a header that identifies a store identification, user identification, passwords and the like to allow the market maker computer **800** to verify authenticity, approve authorization and track usage of the posting terminal **700** by a particular posting terminal **700** and posting terminal user.

The market maker computer **800** may verify and accept a record and generate and send a unique bar code number for each record. The bar code number may contain a code that identifies a posting terminal **700**. The posting terminal accepts the bar code and places the code in the appropriate record. The unique code generated for each successfully posted record may serve as confirmation that a good has been successfully posted. The record may then be stored on storage unit **722** as a confirmed posted record. When the posting terminals' post request module **716** is finished, the posting terminal **700** or the market maker computer **800** may invoke a mail update routine **720** to pass mail from the market maker computer **800** to the posting terminal **700**. Mail topics may include sales information **734**, network news **736**, and notification of upcoming events **738**. The de-post module **724** may use the bar code scanner **730** to receive a posted collectible's identification code. The de-post module **724** may call the de-post request routine **728** to establish communications between the posting terminal **700** and the market maker computer **800**. The de-post request module **728** sends the item or collectible bar code to the post/de-post handler **802**. The post/de-post handler **802** may remove the collectible identified by the bar code from the for-sale database **814**, if the de-posting terminal identification has legal title to the identified collectible as indicated in a for-sale record, the market maker computer **800** may send a de-post confirm code to the posting terminal **700**. The posting terminal **700** may process the confirm signal by indicating that the de-posting procedures was performed. If legal title to the posted collectible good does not belong to the de-posting requesting entity, e.g., the de-posting terminal **700** then indicated by the posting terminal identification, the market maker computer **800** may report the collectible good status, e.g., sold!, to the de-post request module **728**. This may indicate to the posting terminal user that a bailee relationship now exists between the store and the new legal owner. It is understood that this bailee relationship may be contractually created and enforced through the franchise contract between the posting terminal user and the franchise granting authority. It is also understood that the bailee agreement may be for a predetermined time and/or require

the posting terminal user to hold a good for a predetermined time and/or ship the good to a long term storage facility to ease the bailee burden of posting terminal users where a participant elects to hold legal ownership but keep the good available in the electronic market place for the long term. It is understood that a bond and/or insurance requirements may be required for the posting terminal user and/or the long term storage facility to provide assurance to a long term collectible investor that the risk of loss of the collectable good asset is maintained or at least hedged against loss. It is understood that a good may have sold and the new owner has elected to re-sell the good at a higher price. In this instance, the de-posting terminal will be advised that the good has been sold and advised of the new sales price. The posting terminal may then transact the local sale at the new price. After the de-post request module **728** is finished it may invoke or the market maker computer **800** may invoke the get mail routine **720** to send mail between the market maker computer **800** and the posting terminal **700**. It is understood that through the procedures of generating a unique code for each posted good, checking a unique code that identifies each posting terminal **700** against the legal owner entry in a posted good on the market maker computer **800** the database of for-sale goods **814** will be extremely reliable and accurate and assure that a locally sold goods that have already been sold on the market maker computer **800** will not be inadvertently sold twice. The procedures, when used in conjunction with the rules and procedures imposed on the posting terminal user through a franchising or licensing legal framework assure that (1) when a record of a good is found on the market maker computer **800** by a participant **900** or another retailer **902**, it is in fact for-sale and is in the physical and legal possession of a "trusted" franchise and (2) that when a bona fide purchase price is tendered by a participant **900** or another retailer **902** the legal title to a good as represented by the record will transfer to the buyer with an immediate or nearly immediate finality to the transaction. This frame work of trusted franchisee, high confidence and accurate market database, and the legal finality of transaction, where the legal transaction/"cash" clearing function is performed by the market maker computer, e.g., the participant credit card number or other payment means is only revealed and brokered by the market maker computer **800**, is a massive step toward building confidence and trust between a small collectable merchant and participant with electronic transactions. These procedures may be used to give assurances and create trust to participants, who for example would like to buy and art deco collectable from a collectable shop in Russia but is very reluctant to send credit card information to an unknown Russian collectable shop for the obvious concerns of credit card fraud and/or fraud in the bona fides of the collectable good itself. Here, however, the franchising authority polices the franchisees to revoke the franchise if a fraud and/or misrepresentations of the bona fides of a collectable good is taking place by the posting terminal user and the assurance that credit card numbers are only revealed to the market maker computer **800** and not accessible to the, in this example, the Russian collectable store. This allows the Russian collectable store to receive the business good will of the electronic collectible market place of the present invention to establish immediate trust with prospective electronic customers.

The market maker computer **800** may have mail module **801**, a post/de-post handler module **802**, a security module **804**, database server **806**, a database to www map module **808**, a www page server **810**, a transaction processor **812**, a for-sale database **814**, a sold database **816**, a shipped data-

base **820**, and an account database **824**. A www to database mapping **808** module is commercially available from Expertelligence, Inc., Santa Barbara, Calif. at (805) 962-2558. Such a mapping module may map a ODBC database such as Microsoft Access to a www page. The market maker computer **800** may serve four primary functions. The first function is the call handler for processing calls from a posting terminals **700**. The second function is a database to www mapping function to present participants **900** and other retailers **902** with a means to access the market database. The third function is to provide a means to process transactions from participants by clearing a transaction and transferring legal title to a good. The fourth function is to provide a means for managing the notification of the sale of a good to posting terminals **700**.

The market maker computer **800** may use an accounts **824** database to track payments due to posting terminal **700** users. The clear accounts **825** module may print checks due to posting terminal **700** users. It is understood that electronic funds transfer techniques may be used for clearing account balances **825** for posting terminal users. A modem bank **803** may be used to receive posting calls from posting terminals. It is understood that the modem bank may be replaced by a network connection to the internet. At this juncture it is believed that an off-line, that is a modem bank, connection offers the best security for the posting of goods. However, it is understood that a network connection, e.g. through the internet, is within the scope of the present invention.

A security module **804** may be used to provide identification and password security. It is understood that other security and authentication techniques may be used at security module **804**. It is understood that database server **806** may be an ODBC server available from many commercial database providers. Much of the market maker computers **800** functionality is disclosed above in the consignment node functionality. The databases may be structured to indicate of for-sale **814** database and sold database **816**, and auction database **817** and a shipped database **820**. It is understood that records may move between the databases by book entry transaction. The transaction processor **812** may use RSA certificates and/or other well-known techniques to process secured transactions between the market maker computer **800** and participants **702** and **902**. It is understood that the transaction processor **812** may interface with external payment systems **826**. It is understood that participant accounts may be tracked at the market maker computer **800**. Moreover, it is understood that account surpluses may be acquired by participants speculating in collectable goods may be invested in highly liquid and safe assets such as U.S. Treasury bills to provide and interest bearing accounting for positive cash balances. This provides an incentive, or at least a hedge against inflation, for a participant to keep funds within the collectible market place and to use these funds to speculate in the collectible market. By using funds available at the market maker computer **800** participants can reduce the transaction costs associated with credit cards and other transaction clearing means and optimize the participants' return on price movements in the buying and selling of collectable goods. It is within the scope of the present invention to allow access to the electronic collectable market through stock brokers, banks, and other transaction providers through these providers private transaction networks, e.g., those networks that use dial in telephone lines to home computers and/or dedicated data lines. It is within the scope of the present invention to allow professional investment advisors to operate funds such as investment companies, mutual fund partnerships and the like, that use collectable

goods as part of the funds assets. It is understood that the market "history" may be archived and provided to investment advisors and/or posting terminal users and/or participants on a CD-ROM or other mass storage medium to allow off-line analysis of trends in the collectable goods market. This will allow or create a new class of "learned" speculators in this unique, novel and non-obvious electronic market place and network of trusted franchisees in the collectable goods domain. It is also within the scope to the present invention to create the liquidity, volume and availability analysis to allow the creation of a secondary and derivative market for option and futures contracts and other speculative constructs to be created with the underlying assets as collectable goods in the electronic market place of the present invention.

Many variations of the present invention are possible once the present invention is known to those skilled in the arts and are within the spirit and scope of the present invention. Those skilled in the arts will be able to make many variations on the present invention once this invention is known to the arts.

Therefore, I claim:

1. A system for presenting a data record of a good for sale to a market for goods, said market for goods having an interface to a wide area communication network for presenting and offering goods for sale to a purchaser, a payment clearing means for processing a purchase request from said purchaser, a database means for storing and tracking said data record of said good for sale, a communications means for communicating with said system to accept said data record of said good and a payment means for transferring funds to a user of said system, said system comprising:

- a digital image means for creating a digital image of a good for sale;
- a user interface for receiving textual information from a user;
- a bar code scanner;
- a bar code printer;
- a storage device;
- a communications means for communicating with the market; and
- a computer locally connected to said digital image means, said user interface, said bar code scanner, said bar code printer, said storage device and said communications means, said computer adapted to receive said digital image of said good for sale from said digital image means, generate a data record of said good for sale, incorporate said digital image of said good for sale into said data record, receive a textual description of said good for sale from said user interface, store said data record on said storage device, transfer said data record to the market for goods via said communications means and receive a tracking number for said good for sale from the market for goods via said communications means, store said tracking number from the market for goods in said data record on said storage device and printing a bar code from said tracking number on said bar code printer.

2. The system of claim 1 wherein said textual description received from said user interface includes a sale price for said good for sale, wherein said computer adapted to transfer said data record further conveying a binding offer for sale of said good at said price from said computer to said market.

3. The system of claim 1 wherein said computer is further adapted to receive said bar code from said bar code scanner, said bar code identifying said tracking number of said good

for sale on the market for goods, transmit said tracking number to said market for goods and retrieve said data record identified by said tracking number, wherein said computer adapted to transmit said tracking number further conveys a withdraw of said binding offer for sale of said good at said price from said computer to said market.

4. The apparatus of claim 1 wherein said image input means is a digital camera.

5. The apparatus of claim 1 wherein said image input means is a digital scanner.

6. The apparatus of claim 1 wherein said communications means is a modem.

7. The apparatus of claim 1 wherein said communications means is via an internet.

8. A market apparatus for use with a posting terminal apparatus, said posting terminal apparatus having means for creating a digital image of a good for sale, means for creating a data record of said good for sale, a tracking number printer means, a tracking number scanner means and means for communicating to said market apparatus, said market apparatus comprising:

a communications means for communicating with the posting terminal apparatus;

a post/de-post communications handler operably connected to said communications means, said communications handler receiving a data record of a good for sale from the posting terminal apparatus, said communication handler detecting a predetermined posting terminal apparatus identification code from the posting terminal apparatus and verifying from said code that the posting terminal apparatus is an authorized user of said market apparatus;

a storage device operably connected to said post/de-post handler, said storage device adapted to receive and store said data record of a good for sale, said data record containing an image of said good for sale and a textual description of said good for sale;

a presentation mapping module operably connected to said storage device and a wide area communication network, said presentation mapping module providing via said wide area communication network an interface to said market apparatus for a participant, said presentation mapping module providing said participant with access to said data record textual description and said image of said good for sale;

a transaction processor operably connected to said wide area communication network and said storage device, said transaction processor adapted to receive a purchase request and payment means from said participant, clear said purchase request and payment means and if said payment means clears then transfer the ownership of said good for sale by modifying said data record of said good for sale to reflect the new ownership of said good for sale by said participant; and

a notification means operably connected to said transaction processor said notification means notifying the posting terminal apparatus in response to said transaction processor transferring ownership of said good for sale denoting with a finality of transaction said new ownership of said good.

9. The market apparatus of claim 8 further comprising:

a security handler operatively connected between said post/de-post handler and said data storage device, said security handler providing means for authorizing, authenticating and securing said communications between said post/de-post handler and said data storage device.

10. The market apparatus of claim 8 wherein said data storage device is a relational database.

11. The market apparatus of claim 8 further comprising: a world wide web server operably connected between said presentation mapping module and said wide area communications network, said world wide web server providing said participant with data entry fields in predetermined categories in which to request a search of said data storage device for a data record of a good for sale.

12. The market apparatus of claim 8 further comprising; an accounts database operably connected to said transaction processor, said accounts database containing an account number to track the funds payable to said user of said posting terminal apparatus, where said funds payable is generated from transfer of said good to said participant of said market apparatus.

13. The market apparatus of claim 8 wherein said post/de-post handler generates a unique tracking number and sends said unique tracking number to the posting terminal apparatus in response to said post/de-post handler receiving said data record of said good for sale from the posting terminal apparatus.

14. The market apparatus of claim 8 wherein a relationship exists between said market apparatus and a user of the posting terminal apparatus, said relationship conferring on said act of receiving said data record of said good for sale a legally binding offer for sale of said good at a predetermined sale price of said good.

15. A market apparatus for use with a posting terminal apparatus, said posting terminal apparatus having a digital camera for creating a digital image of a good for sale, a record maker module for creating a data record of said good for sale, a tracking code printer, a tracking code scanner and a posting terminal communication interface for communicating with said market apparatus, said market apparatus comprising:

a communication interface for communicating with the posting terminal apparatus;

a post/de-post communications handler operably connected to communication interface, said communications handler receiving a data record of a good for sale from the posting terminal apparatus, said communication handler detecting a predetermined posting terminal apparatus identification code from the posting terminal apparatus and verifying from said identification code that the posting terminal apparatus is an authorized user of said market apparatus;

a storage device operably connected to said post/de-post handler, said storage device adapted to receive and store said data record of a good for sale, said data record containing an image of said good for sale and a textual description of said good for sale;

a presentation mapping module operably connected to said storage device and a wide area communication network, said presentation mapping module providing via said wide area communication network an interface to said market apparatus for a participant, said presentation mapping module providing said participant with access to said data record textual description and said image of said good for sale;

a transaction processor operably connected to said wide area communication network and said storage device, said transaction processor adapted to receive a purchase request and payment from said participant, clear said purchase request and payment and if said payment

23

clears then transfer the ownership of said good for sale by modifying said data record of said good for sale to reflect the new ownership of said good for sale by said participant; and

a notification means operably connected to said transaction processor said notification means notifying the posting terminal apparatus in response to said transaction processor transferring ownership of said good for sale denoting with a finality of transaction said new ownership of said good.

16. The market apparatus of claim 15 further comprising: a security handler operatively connected between said post/de-post communications handler and said storage device, said security handler providing means for authorizing, authenticating and securing said communications between said post/de-post communications handler and said storage device.

17. The market apparatus of claim 15 wherein said storage device is a relational database.

18. The market apparatus of claim 15 further comprising: a world wide web server operably connected between said presentation mapping module and said wide area communications network, said world wide web server providing said participant with data entry fields in predetermined categories in which to request a search of said storage device for a data record of a good for sale.

19. The market apparatus of claim 15 further comprising: an accounts database operably connected to said transaction processor, said accounts database containing an account number to track the funds payable to said user of said posting terminal apparatus, where said funds payable is generated from transfer of said good to said participant of said market apparatus.

20. The market apparatus of claim 15 wherein said post/de-post communications handler generates a unique tracking code and sends said unique tracking code to the posting terminal apparatus in response to said post/de-post communications handler receiving said data record of said good for sale from the posting terminal apparatus.

21. The market apparatus of claim 15 wherein a relationship exists between said market apparatus and a user of the posting terminal apparatus, said relationship conferring on said act of receiving said data record of said good for sale a legally binding offer for sale of said good at a predetermined sale price of said good.

22. The market apparatus of claim 15 wherein said notification means is via electronic mail.

23. A system for presenting a data record of a good for sale to a market for goods, said market for goods having an interface to a wide area communication network for presenting and offering goods for sale to a purchaser, access to a transaction processor for processing a purchase request from said purchaser, a database for storing and tracking said data record of said good for sale, a communication interface for communicating with said system to accept said data record of said good and a payment means for transferring funds to a user of said system, said system comprising:

- a digital camera for creating a digital image of a good for sale;
- a user interface for receiving textual information from a user;
- a printer for printing said digital image of said good for sale and said textual information from said user;
- a storage device;

24

a communication interface for communicating with the market; and

a computer locally connected to said digital camera, said user interface, said storage device and said communication interface, said computer adapted to receive said digital image of said good for sale from said digital camera, generate a data record of said good for sale, incorporate said digital image of said good for sale into said data record, receive a textual description of said good for sale from said user interface, store said data record on said storage device, transfer said data record to the market for goods via said communication interface, receive a tracking code for said good for sale and store said tracking code in said data record on said storage device.

24. The system of claim 23 wherein said textual description received from said user interface includes a sale price for said good for sale, wherein said computer adapted to transfer said data record further conveys a binding offer for sale of said good at said price from said computer to said market.

25. The system of claim 23 wherein said computer is further adapted to receive a bar code from a bar code scanner, said bar code identifying said tracking code of said good for sale on the market for goods, transmit said tracking code to said market for goods and retrieve said data record identified by said tracking code, wherein said computer adapted to transmit said tracking code further conveys a withdraw of said good from said market.

26. An electronic market for use with a posting terminal apparatus, said posting terminal apparatus having a digital imaging device for creating a digital image of a good for sale, a computer interface for creating a data record of said good for sale and a communication interface for communicating with said electronic market, said electronic market comprising:

- a communication interface for communicating with the posting terminal apparatus;
- a posting communications handler operably connected to said communication interface, said communications handler receiving inputs for a data record of a good for sale from the posting terminal apparatus, said communications handler detecting a predetermined posting terminal identification code from the posting terminal apparatus and verifying from said code that the posting terminal apparatus is an authorized user of said electronic market;
- a storage device operably connected to said posting communications handler, said storage device adapted to receive and store and said data record of said good for sale, said data record indexing an image of said good for sale, a textual description of said good for sale and a code for said good for sale;
- a presentation mapping module operably connected to said storage device and a wide area communication network, said presentation mapping module providing via said wide area communication network an interface to said electronic market for a participant, said presentation mapping module providing said participant with access to said data record textual description and said image of said good for sale;
- a transaction processor operably connected to said wide area communication network and said storage device, said transaction processor adapted to receive a purchase request and electronic payment information from said participant, transfer said purchase request to said post-

25

ing terminal, and verify electronic payment information from said participant and if said electronic payment verifies then notify the owner of said good for sale by modifying a data record indexed to said data record for said good for sale to reflect said purchase request of said good for sale by said participant; and

a notification module operably connected to said transaction processor, said notification module providing notification to the posting terminal apparatus in response to said transaction processor processing said purchase request and verifying said electronic payment information.

26

27. The electronic market of claim **26** wherein said market is further adapted to delay payment of said electronic payment for said good for sale from a first owner to a second owner for a predetermined interval.

28. The electronic market of claim **26** wherein said market is further adapted to delay payment of said electronic payment for said good of sale from a first owner to a second owner until a predetermined signal is received.

29. The electronic market of claim **27** wherein said notification module is an electronic mail system.

* * * * *